

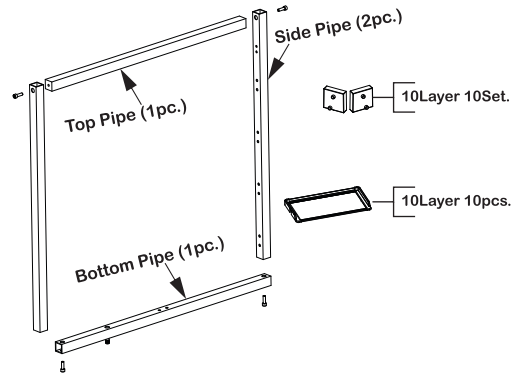
# Shoe Rack Installation Guide



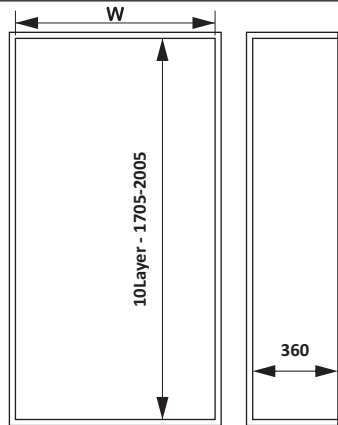
## Installation Manual

1/4

### Accessories list



Allen Bolt M6*16		4pc
Bottom Channel		1Set.
Top Channel		1Set.
Adjustable		1Pc.
Screw		7Pcs.
Allen Bolt M6*35		2pc



### Carcase Size (W\*D\*H)

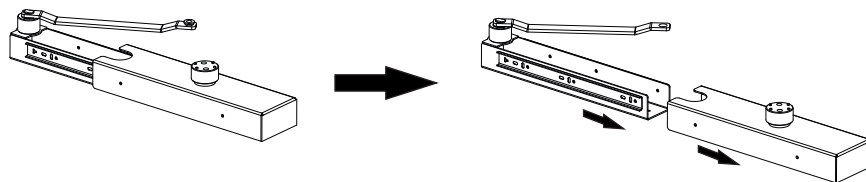
600 (500\*360\*1900)

900 (800\*360\*1900)

Size in mm

### Step-1

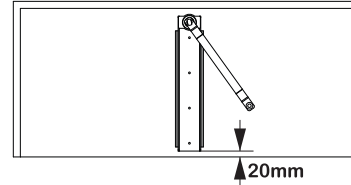
Remove Bottom Channel Cover From Channel



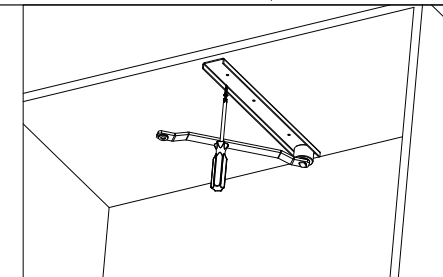
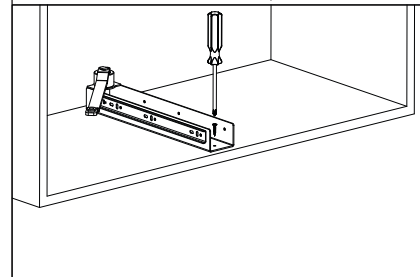
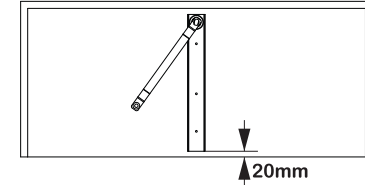
## Installation Manual

2/4

### Bottom Channel Fitting



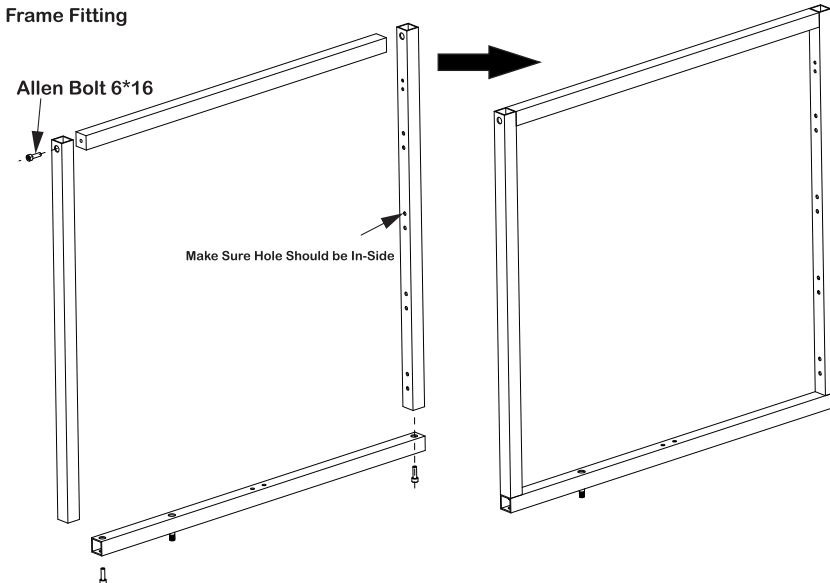
### Top Channel Fitting



### Frame Fitting

Allen Bolt 6\*16

Make Sure Hole Should be In-Side



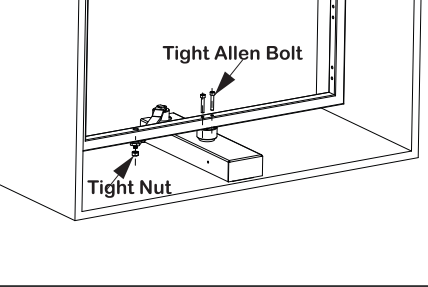
# Shoe Rack Installation Guide

Wardrobe Lifter  
Installation  
[YouTube](#)

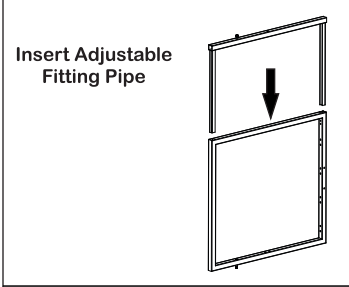


3/4

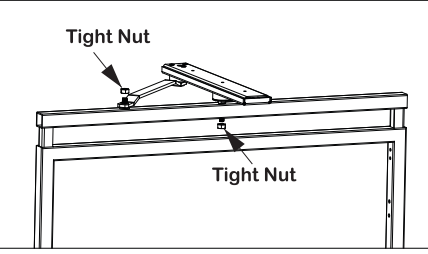
**Installation Manual**



Tight Allen Bolt  
Tight Nut

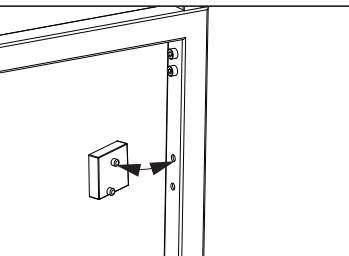


Insert Adjustable Fitting Pipe

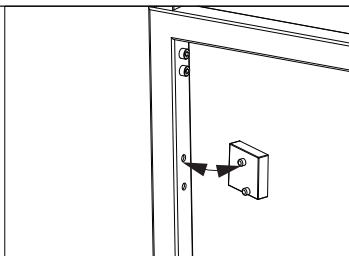
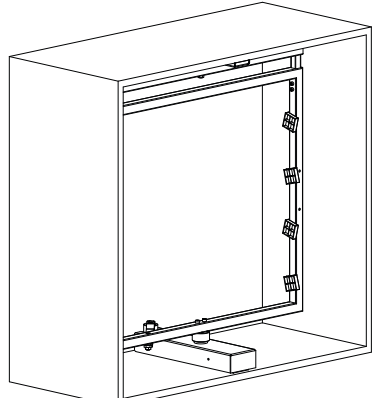


Tight Nut  
Tight Nut

Tighten Allen Bolt After Adjust Frame

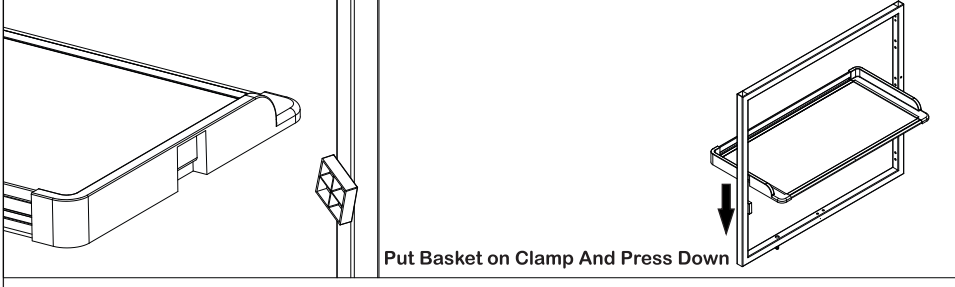


Fix Basket Clamp Into Hole As Shown below Image

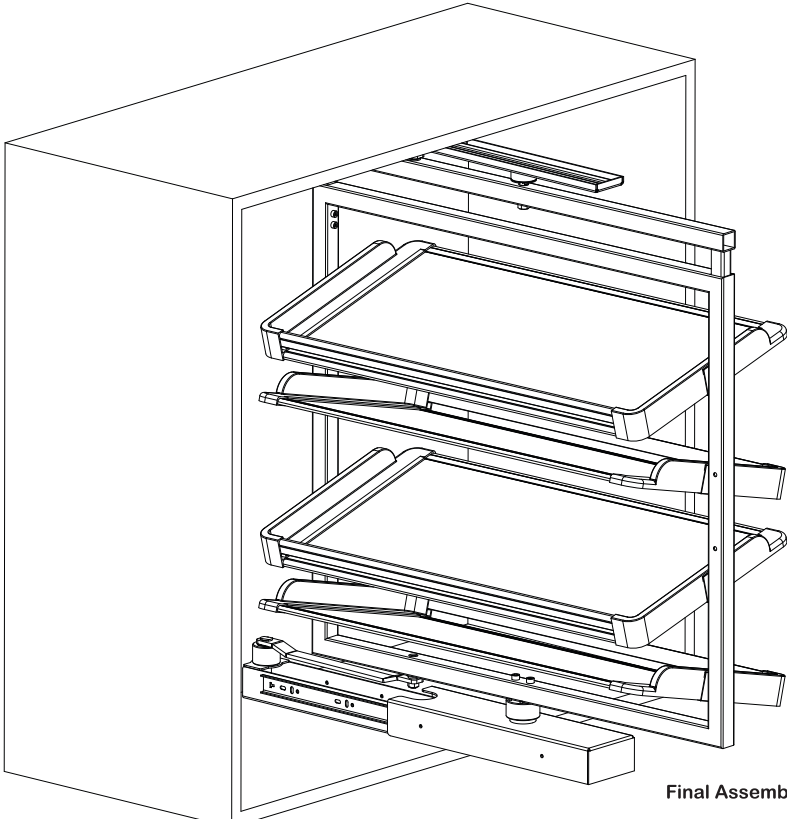
4/4

**Installation Manual**



Put Basket on Clamp And Press Down

Do Same With All Basket



Final Assembly View

